

Avon Timber Window Fastener

INTERLOCK™
ASSA ABLOY

ASSA ABLOY, the global leader
in door opening solutions.



The Avon Window Fastener has been designed for use with timber framing. A strong fastener that offers extra security with its unique lockable option. The Avon is supplied complete with a tongue and keeper arrangement specifically designed to allow ventilation through the split-rail wedge.

Features

- Robust design
- Split-rail wedge allows for safer ventilation
- Offset fixing screw location helps avoid splitting of the timber
- Strong zinc die-cast construction
- Pushbutton locking option for added security
- Available with 17mm backset
- New Zealand made

Options

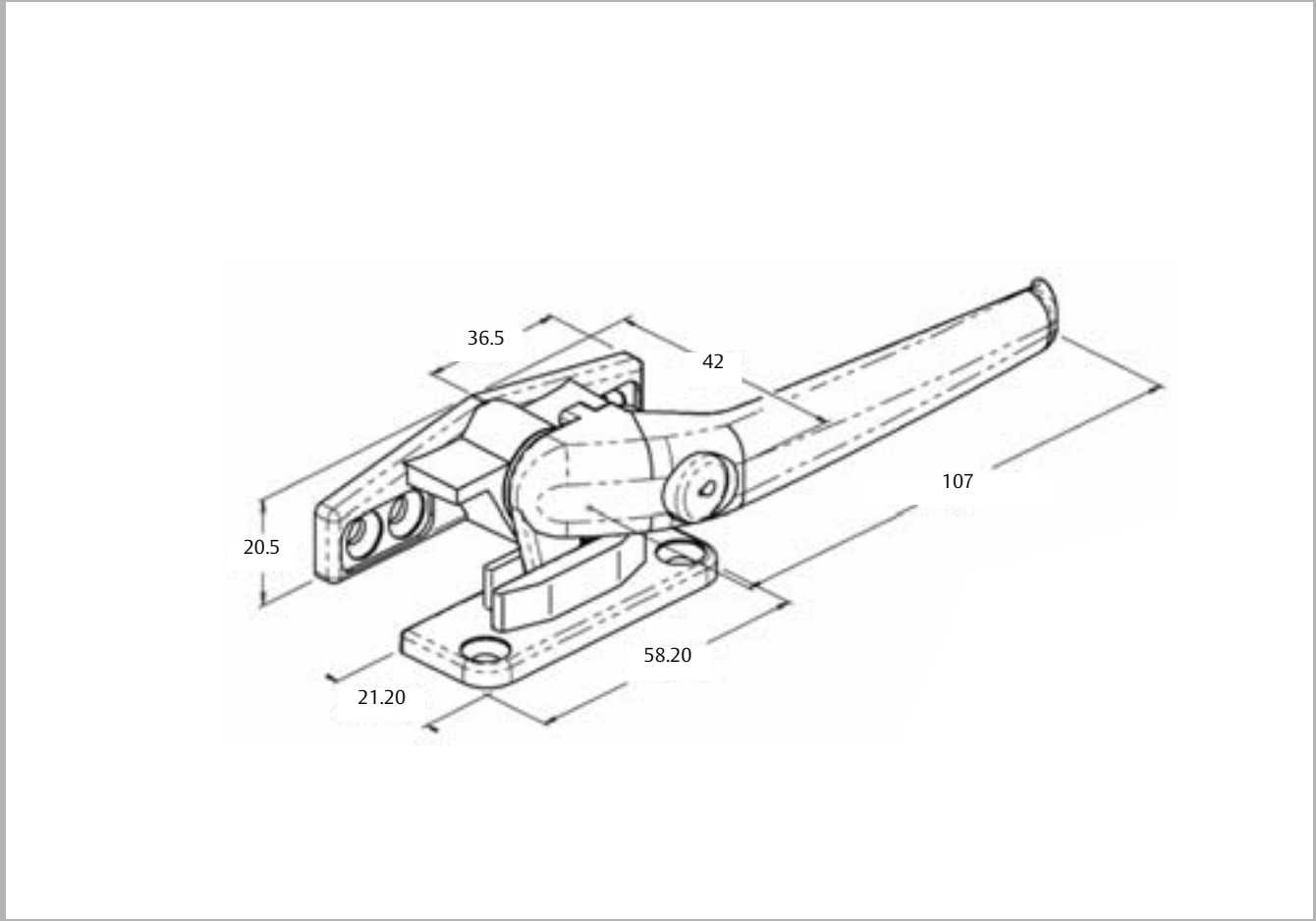
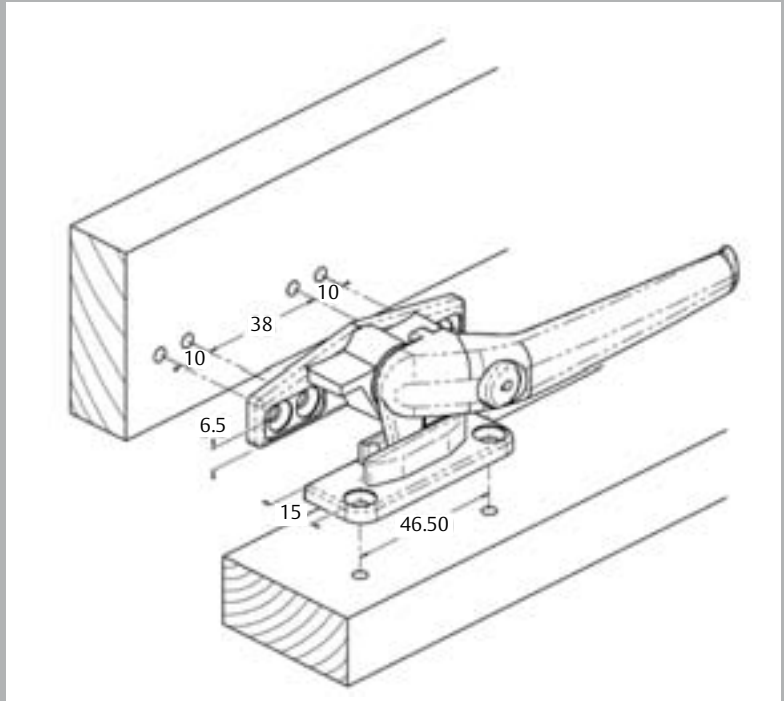
- Left and right-handed models available
- Locking or non-locking design
- Different plating options
- Available in a wide range of powdercoat colours and plated finishes



Avon Timber

Window Fastener

INTERLOCK™
ASSA ABLOY



RES-FEY-009 07/09NZ

ASSA ABLOY New Zealand Ltd.
 PO Box 100407, North Shore
 North Shore City 0745

6 Armstrong Road, Albany
 North Shore City 0632
 New Zealand

Within New Zealand:
 Tel 09 415 8031
 Fax 0800 478 297
www.assaabloy.co.nz

Outside New Zealand:
 Tel +64 9 921 7630
 Fax +64 9 921 6504
www.assaabloy.co.nz

ASSA ABLOY, the global leader
 in door opening solutions.