

# Aria Venting Wedgeless Window Fastener

**INTERLOCK™**  
**ASSA ABLOY**

ASSA ABLOY, the global leader  
in door opening solutions.



The Aria Venting Wedgeless Fastener is both unique and innovative. Created with opposing tongues, the fastener allows controlled ventilation especially in windy conditions. The wedgeless and concealed fixing design was developed with the end user and fabricator in mind, as it enables easy installation, simple product operation and improves aesthetics. Suitable for use on either aluminium or uPVC, casement or awning windows.

## Features

- Concealed fixing
- Wedgeless design
- High quality pressure die-cast main body with colour-matched injection moulded integrated nylon wedge
- 6mm, face fixing fastener
- Quality Interlock friction joint providing tested and proven durability
- Opposing tongue allows for one smooth motion from closed to venting position
- New Zealand made

## Options

- Left and right-handed models available
- Available in a wide range of powdercoat colours and satin chrome finish



# Aria Venting Wedgeless

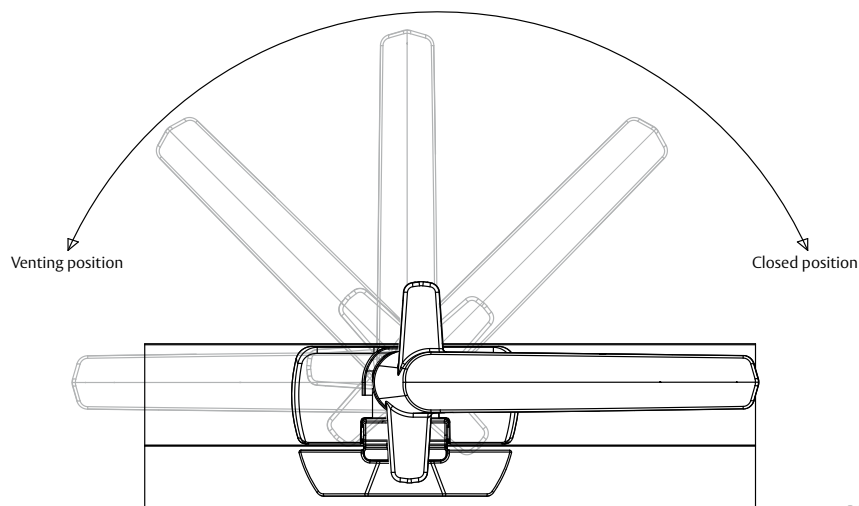
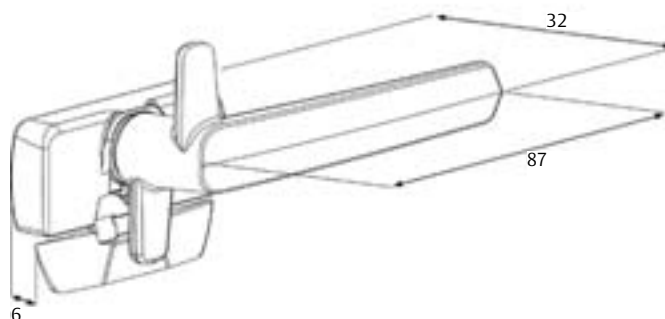
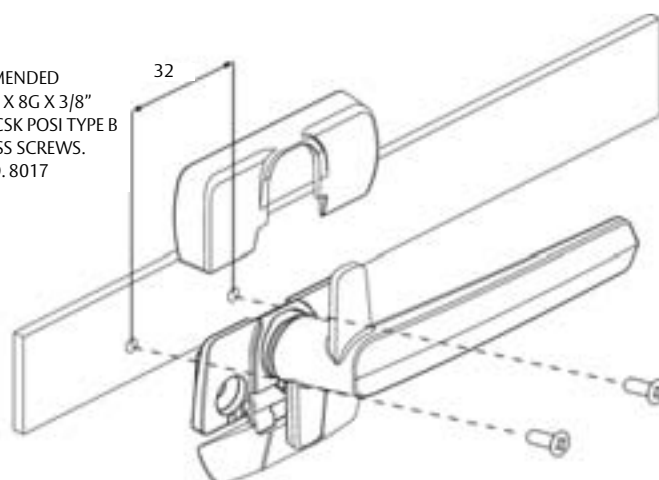
## Window Fastener

**INTERLOCK™**

**ASSA ABLOY**



RECOMMENDED  
FIXING 2 X 8G X 3/8"  
RAISED CSK POSI TYPE B  
STAINLESS SCREWS.  
PART NO. 8017



Right handed fastener example

ASSA ABLOY New Zealand Ltd.  
PO Box 100407, North Shore  
North Shore City 0745

6 Armstrong Road, Albany  
North Shore City 0632  
New Zealand

Within New Zealand:  
Tel 09 415 8031  
Fax 0800 478 297  
[www.assaabloy.co.nz](http://www.assaabloy.co.nz)

Outside New Zealand:  
Tel +64 9 921 7630  
Fax +64 9 921 6504  
[www.assaabloy.co.nz](http://www.assaabloy.co.nz)

ASSA ABLOY, the global leader  
in door opening solutions.