

# Casement Operator

## Winder

INTERLOCK™

ASSA ABLOY



Right Hand Illustrated

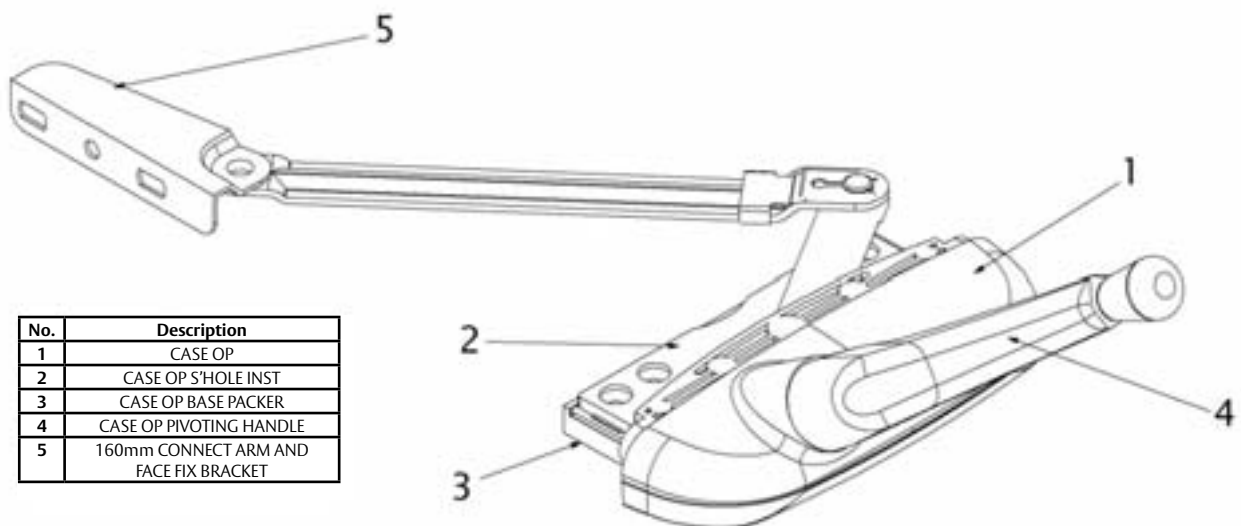
The Casement Operator conveniently controls a casement window weighing up to 30kg and 915mm wide from the closed position to the fully open (90°) position where the window is hinged on 2-bar or 4-bar stays. Produced from corrosion resistant materials, the 304 grade (non-magnetic) stainless steel connect arm incorporates a spring clip that disconnects the operator for ease of maintenance. Where positive seal compression is required, use of a window fastener is recommended.

### Features:

- Easy to install with a minimum of routing required
- The adjustable connect arm option allows on-site fine adjustment to be carried out
- A smooth and quiet nine-turn operator
- The control handle has a unique pivoting action that allows the handle to be folded flat in a parked position at any sash open angle
- New Zealand made

### Options:

- Available in left-hand or right-hand options
- 160mm connect arm ordered separately
- Available in a wide range of powdercoat colours



No.	Description
1	CASE OP
2	CASE OP S'HOLE INST
3	CASE OP BASE PACKER
4	CASE OP PIVOTING HANDLE
5	160mm CONNECT ARM AND FACE FIX BRACKET