

Albany SBML 2-Point

INTERLOCK™
ASSA ABLOY

ASSA ABLOY, the global leader
in door opening solutions.



Combining the very popular Albany furniture styling with a concealed mortice style lockset, the Albany Mortice range of locks offers the ultimate in residential sliding door hardware. The Albany Mortice range is simple to operate and incorporates a one-action lock or unlock mode. It is supplied in a wide range of finishes and keying options. Suitable for use with aluminium, timber or uPVC horizontal sliding doors and windows.

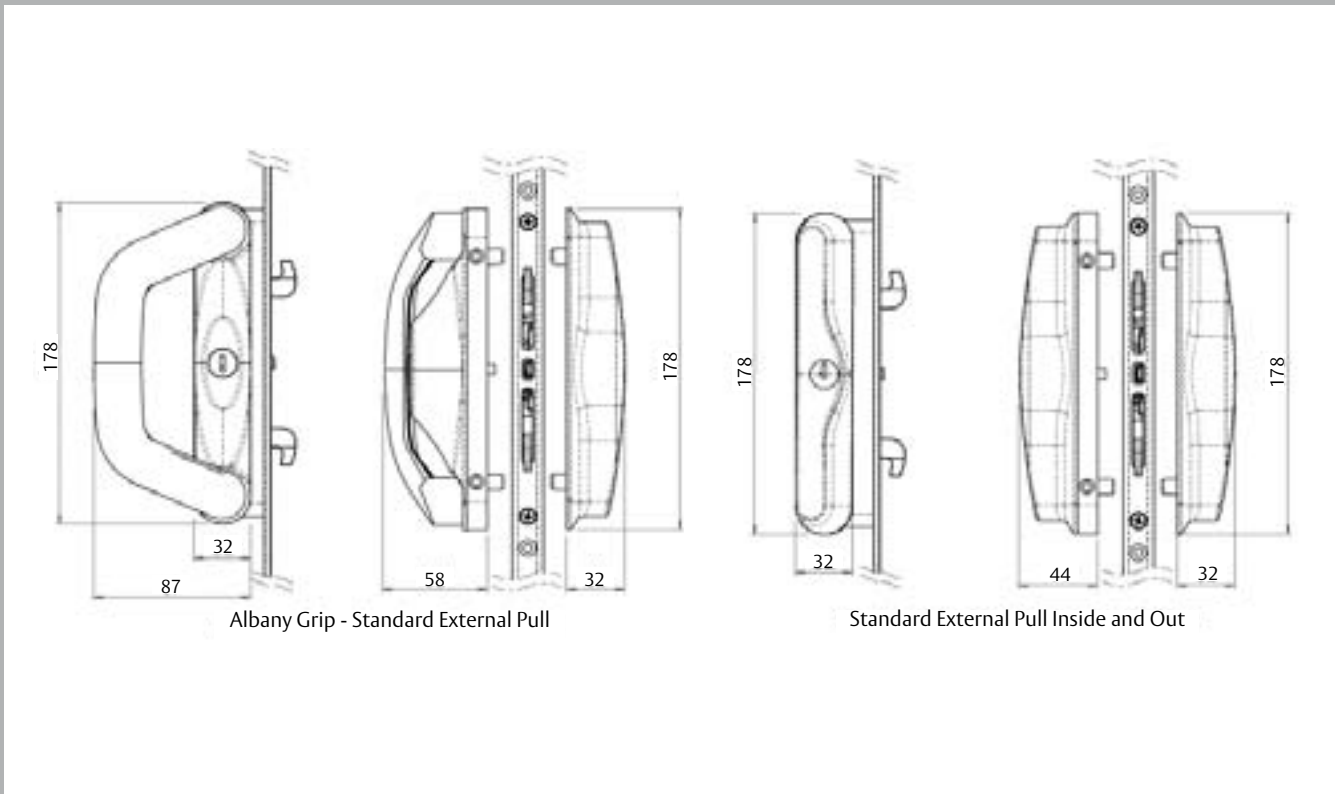
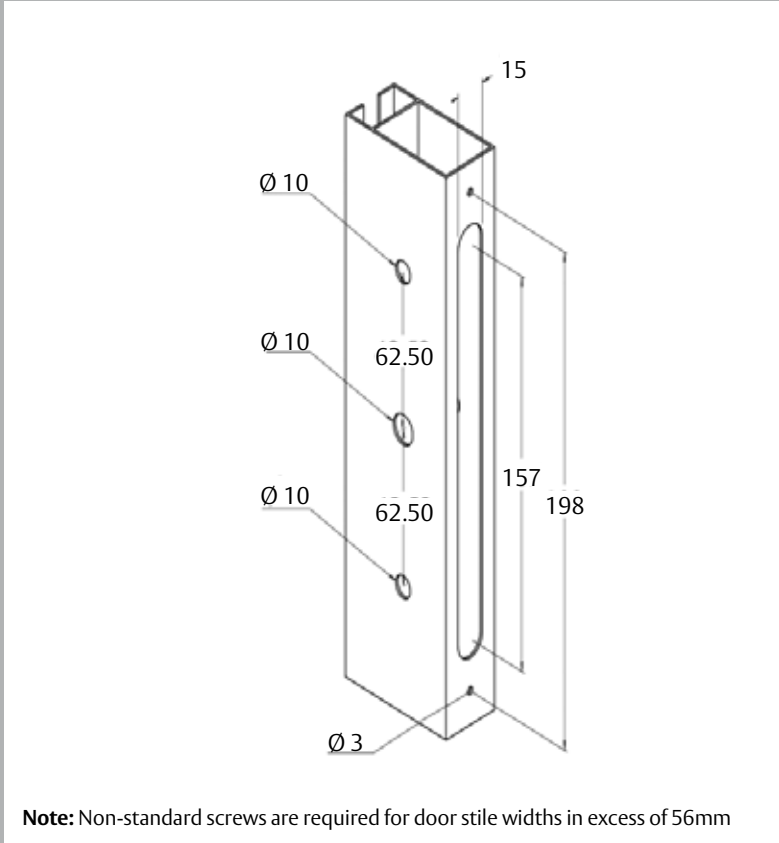
Features

- Contemporary styling combined with the concealed morticed lockset provides enhanced aesthetics
- 2-point locking activated from one action
- Fully reversible for left or right-handed doors
- Anti-slam button prevents operation of the handle when the door is open, avoiding damage to the mechanism
- Opposing twin beaks prevent door being lifted from the track
- Unique red indicator on the deadlock shows when the door is unlocked
- Can be keyed alike to other ASSA ABLOY CYL4™ locks for one key convenience
- New Zealand made

Options

- Double cylinder deadlocking with Daylatch
- Single cylinder locking with snib
- Additional locking options available
- Available in a wide range of powdercoat colours and satin chrome finish

Albany SBML 2-Point



RES-FEY-048 0410NZ