

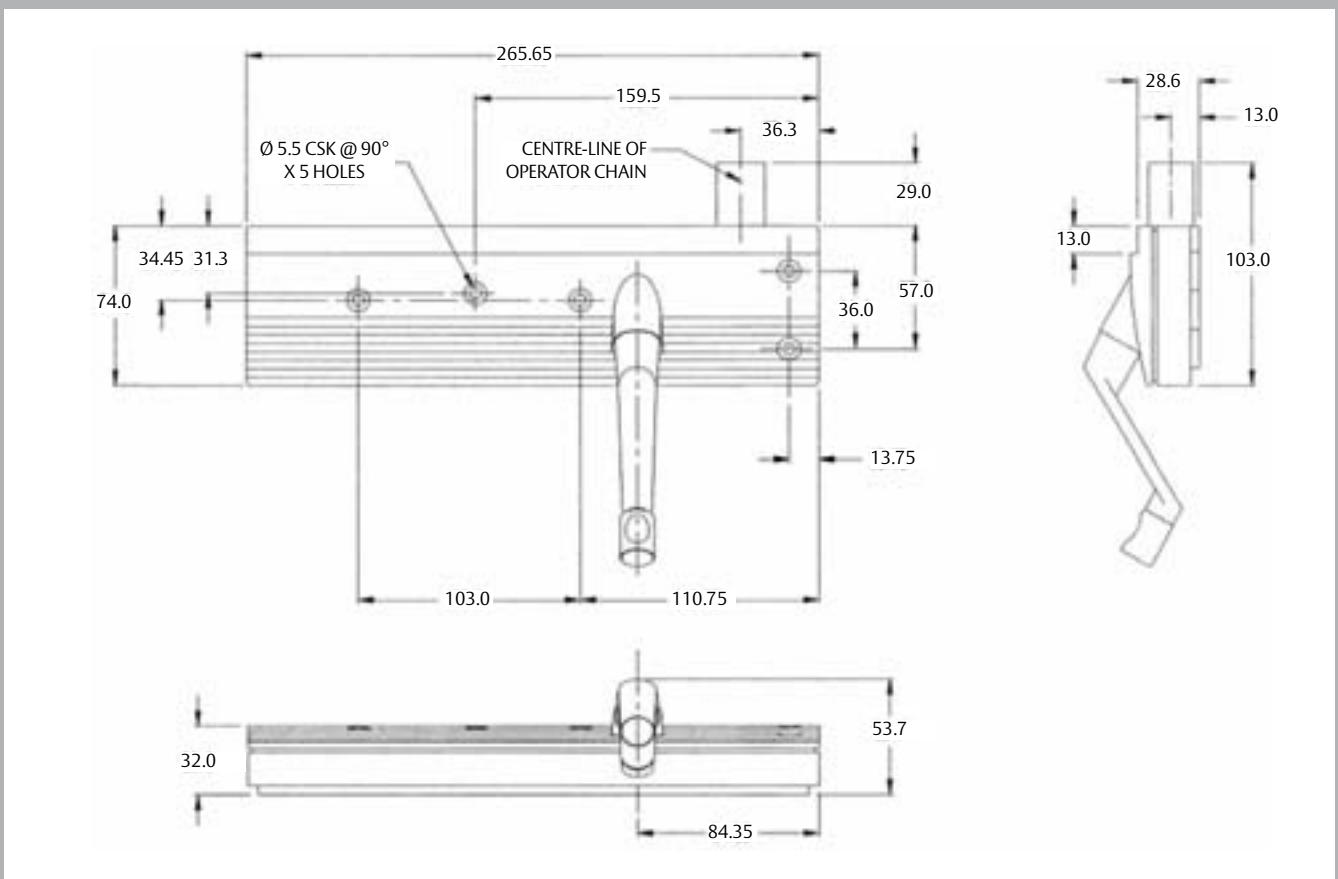
The Interlock manual Skylight Operator offers an attractive and user-friendly option for opening and closing hinged (non-pivoting) roof and out-of-reach windows. With a host of features and options, the Interlock system allows ventilation with convenience, flexibility and safety. For use with aluminium, timber, and uPVC framed skylights.

Features:

- Opening out-of-reach windows can be done easily with the Interlock pole operator
- The patented, lever-operated locking mechanism on the pole allows telescopic adjustment to the required length
- Reinforced polymer opening chain for strength, durability and quiet operation
- Recessed to accept a fly screen, which can be fitted between the operator and the skylight
- Detachable sash bracket for ease of installation and fire safety
- The unit and winder handle have a sleek and compact appearance to fit with any skylight window
- Simple to install
- New Zealand made

Options:

- Manual opener options:
 - Crank handle
 - Pole operated (to 3 metres)
- Can be upgraded from manual control to electronic control



RES-FIX-031 0410NZ