

Twin Bolt French Doors

INTERLOCK™

ASSA ABLOY

ASSA ABLOY, the global leader
in door opening solutions.



The Twin Bolt lock body has been designed for use on the passive leaf of a french door. The Twin Bolt combines security features with a practical design, fulfilling the needs created by architectural innovations within the residential and light commercial market. Suitable for use with aluminium or timber doors.

Features

- Standard rod length 1 x 1m + 1 x 1.3m.
- Provides two points of security with throw rods top and bottom (13mm throw)
- Practical, easy installation
- Zinc die-cast construction
- Standard moulded plastic packers and fixing screws provided
- Threaded rod connection provides easy adjustment
- Handle turning angle of 90°
- Twin Bolt lock body features internal locking only, with a C4 compatible cylinder
- The Twin Bolt - French Door option is available as a complete kit which includes the lock body, lock rods, handle set, aluminium suite screws, packers and drive bar
- Can be keyed alike to other ASSA ABLOY CYL4™ locks for one key convenience
- New Zealand made

Options

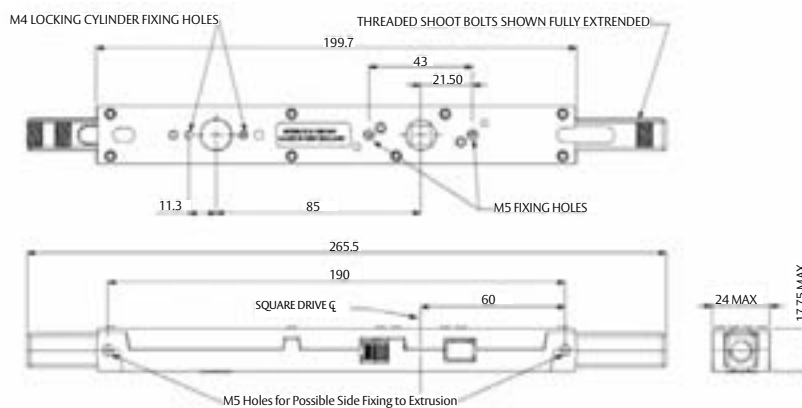
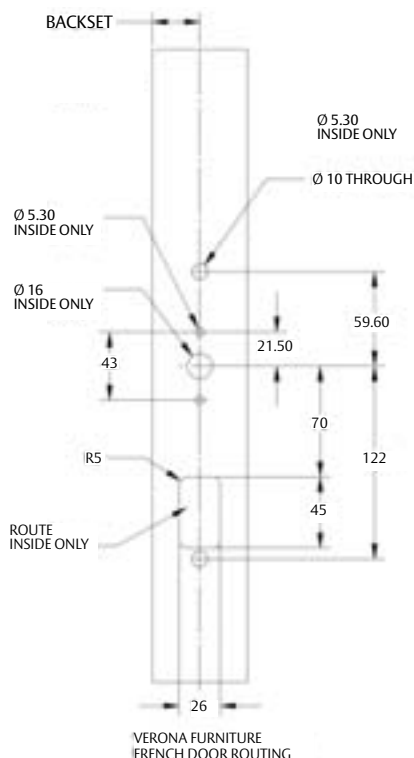
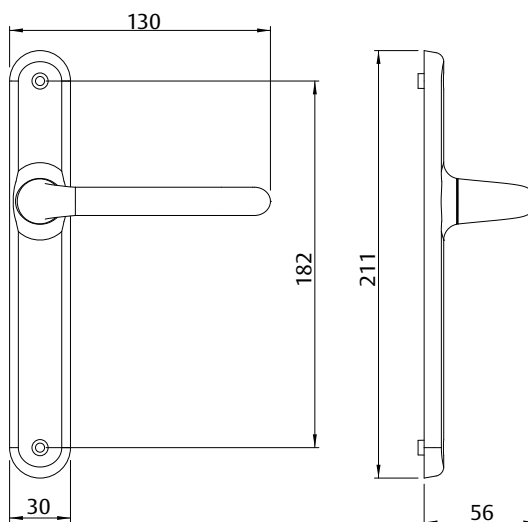
- Can be used with a Palladium or a Verona handle for french door applications*
- Both handles available in a wide range of powdercoat colours and satin chrome finish
- Multipoint rod extension kit available
- Composite suite packer and screw pack also available

* Verona handle option shown

Twin Bolt French Doors

INTERLOCK™

ASSA ABLOY



Note: Fits doors with a minimum cavity of 18mm x 24mm

ASSA ABLOY New Zealand Ltd.
PO Box 100407, North Shore
North Shore City 0745

6 Armstrong Road, Albany
North Shore City 0632
New Zealand

Within New Zealand:
Tel 09 415 8031
Fax 0800 478 297
www.assaabloy.co.nz

Outside New Zealand:
Tel +64 9 921 7630
Fax +64 9 921 6504
www.assaabloy.co.nz

ASSA ABLOY, the global leader
in door opening solutions.