

# Optimum 1-Point Mortice Lock

**INTERLOCK™**  
**ASSA ABLOY**

ASSA ABLOY, the global leader  
in door opening solutions.



The Optimum Mortice Lock range offers a new and improved locking system. The Optimum 1-Point provides basic security suitable for residential applications.

## Features

- The handing of the lockset is easily adjusted by reversing the orientation of the latch bolt
- Standard kits are supplied with furniture and keyed cylinder
- Can be keyed alike to other ASSA ABLOY CYL4™ 5-Pin locks for one key convenience
- Adjustable latch projection
- Stainless steel forend plate
- Achieves Australian Standards AS4145: 1993 (Part 2) Security Level S1 and Durability Level D2
- New Zealand made

## Options

- Available with 30mm backset
- Available with standard Verona furniture
- Double cylinder, cylinder and turnknob, half cylinder or half turnknob

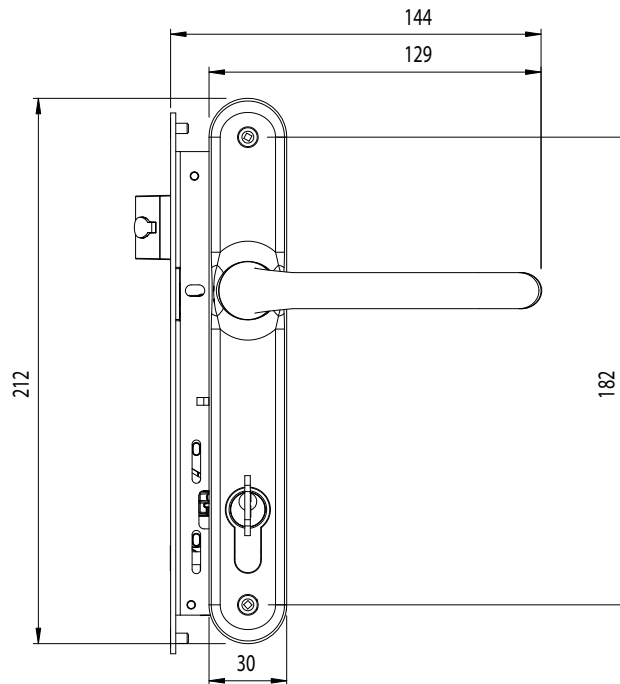
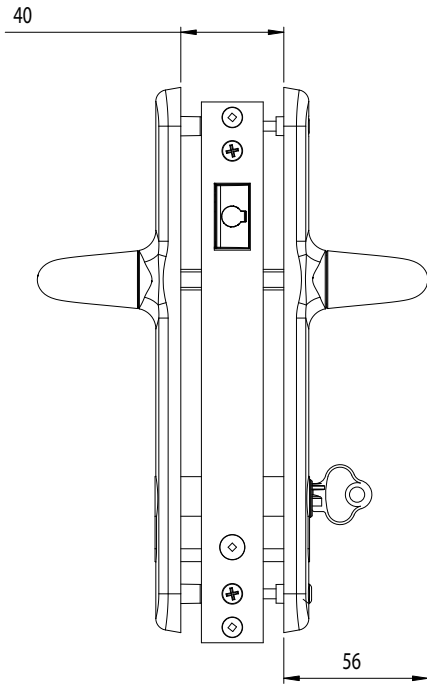
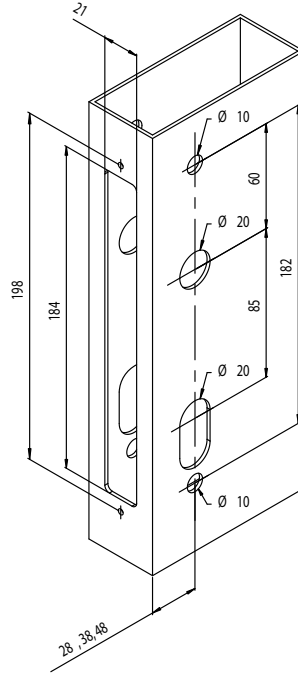


# Optimum

## 1-Point Mortice Lock

INTERLOCK™

ASSA ABLOY



EXP-FY-011 0410NZ

ASSA ABLOY New Zealand Ltd.  
PO Box 100407, North Shore  
North Shore City 0745

6 Armstrong Road, Albany  
North Shore City 0632  
New Zealand

Within New Zealand:  
Tel +64 9 415 8031  
Fax 0800 478 297  
[www.assaabloy.co.nz](http://www.assaabloy.co.nz)

Outside New Zealand:  
Tel +64 9 921 7630  
Fax +64 9 921 6504  
[www.assaabloy.co.nz](http://www.assaabloy.co.nz)

ASSA ABLOY, the global leader  
in door opening solutions.