

Securistay Window Restrictor

INTERLOCK™
ASSA ABLOY

ASSA ABLOY, the global leader
in door opening solutions.



The Securistay is a window restrictor that provides ventilation for at home security.

Designed for use with projected top hung and projected side hung windows, the Securistay limits the sash opening to 100mm. This allows for safer ventilation and provides child safety particularly in multi-storey buildings. It is suitable for pivoting timber, aluminium or uPVC sashes.

Features

- To guard against injury caused by falling, the opening is restricted to 100mm, in compliance with NZBC Acceptable Solution F4/AS1
- As an enhanced security feature, full window opening can only be obtained when the Securistay arm is disengaged
- Offering three notched, at-rest setting positions, the Securistay provides additional sash control in windy situations
- A stainless steel security sleeve encircles the arm, locking it to the frame plate pin, discouraging jimmying
- The Securistay is manufactured from materials selected to provide a maintenance-free life
- New Zealand made

Options

- 'A' type - aluminium joinery
- 'T' type - timber joinery
- Available in a range of colours to complement any window design and finish



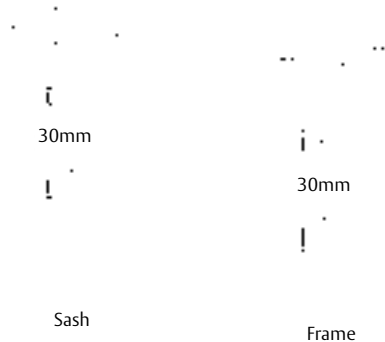
Securistay

Window Restrictor

Aluminium



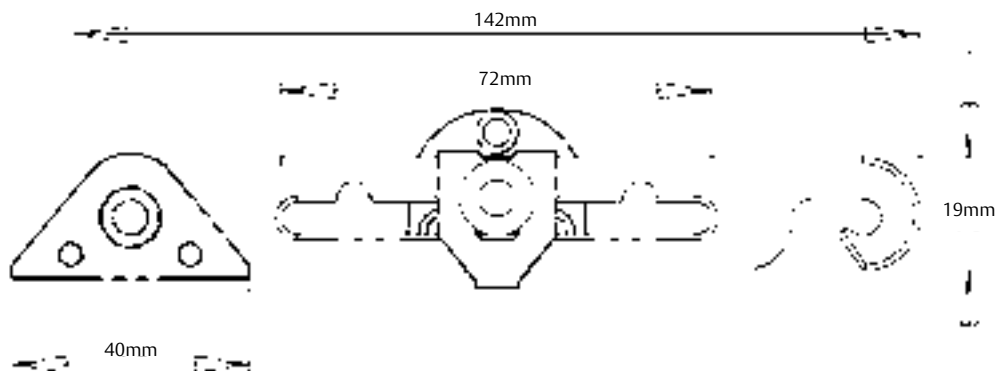
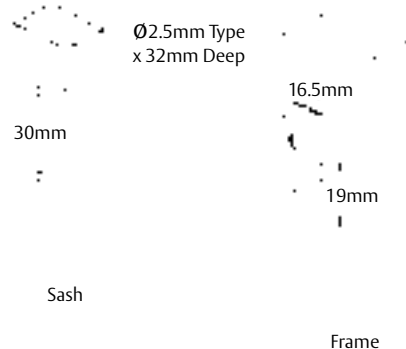
Aluminium



Timber



Timber



Timber Securistay is shown