

# Pushlock Window Bolt

INTERLOCK™

ASSA ABLOY

ASSA ABLOY, the global leader  
in door opening solutions.



The Pushlock is a secure locking window bolt for deadlocking timber or uPVC awning, casement, sliding or double hung windows. The strongly constructed lock body provides maximum strength for any window that requires more security.

## Features

- 8mm diameter bolt provides real security
- Reversible bolt to allow cylinder to be located on the left or the right of the lock body to suit application
- Concealed fixing for security and style
- Easy to install
- Stainless steel ferrule for added security
- Can be keyed alike to other ASSA ABLOY CYL4™ locks for one key convenience
- New Zealand made

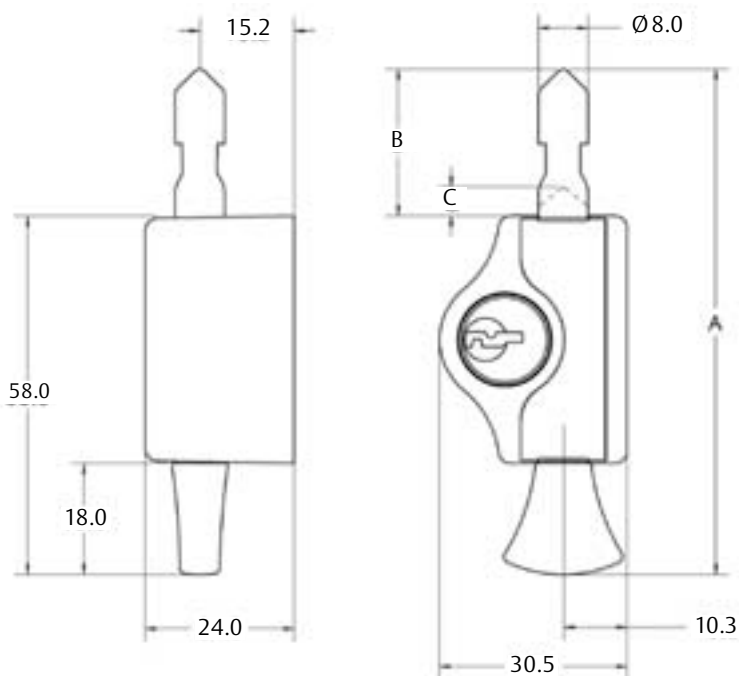
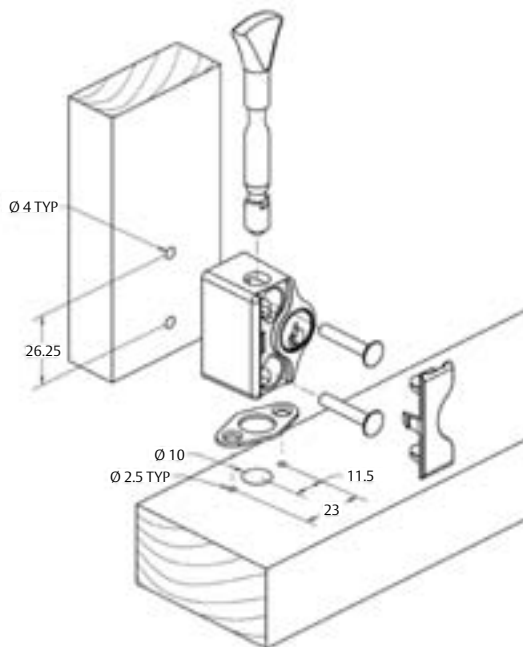
## Options

- Available in a range of colours to complement any window design and finish

# Pushlock

## Window Bolt

**INTERLOCK™**  
**ASSA ABLOY**



	A - Bolt length	B - Bolt thrown length	C - Bolt unthrown length
Standard bolt	81.5mm	24mm	0mm