

Lockbolt Door Bolt

INTERLOCK™
ASSA ABLOY

ASSA ABLOY, the global leader
in door opening solutions.



The Lockbolt is a strong, heavy-duty, surface mounted product to improve security in a range of residential sliding and hinge door applications. It has been designed to suit a wide range of aluminium and timber sliding patio and hinge door applications.

Features

- 9.5mm heavy gauge bolt providing better security
- Deadlocking bolt for top security
- Suitable for left or right handed timber or aluminium doors, it is ideal for new construction or to upgrade existing security
- Reversible bolt allows cylinder to be located on the left or the right of the lock body to suit the application
- Bolt can be engaged with or without locking cylinder
- Bolt remains in the body when disengaged
- Concealed fixing for security and style
- Easy to install
- Can be keyed alike to other ASSA ABLOY CYL4™ for one key convenience

Options

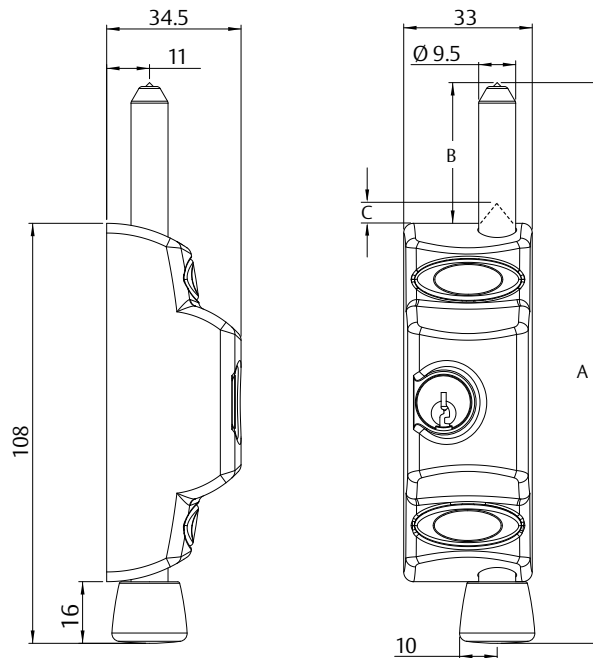
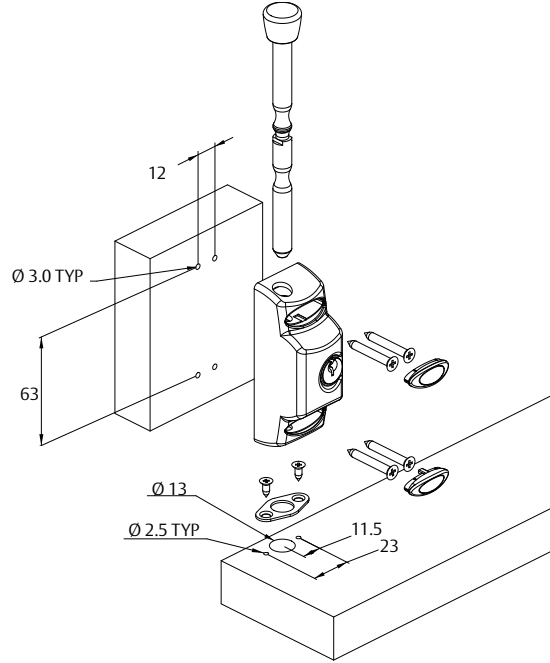
- Available in black or silver



Lockbolt

Door Bolt

INTERLOCK™
ASSA ABLOY



	A - Bolt length	B - Bolt thrown length	C - Bolt unthrown length
Standard bolt	145mm	36mm	1mm