

ASSA ABLOY, the global leader
in door opening solutions.



The Interlock flush bolt range is used for the safe bolting of aluminium doors and windows. The 7mm diameter plated steel rod provides high security and is activated by a strongly constructed die-cast zinc body and operating lever with comfortable finger grip.

Features

- All flush bolts are supplied as standard with a 300mm rod threaded for 150mm along its length, enabling the rod to be factory trimmed to suit varying door/window heights
- A rod guide is also supplied for fitting inside the door/window frame
- A 600mm rod option is also available

Options

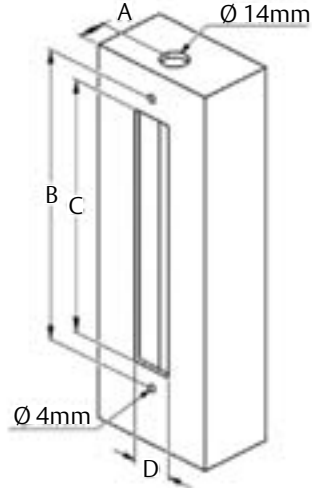
The range has three variants-

- **Surface-mounted model** with standard width face plate, can be mounted either on the face or on the leading edge of a door stile
- **Surface-mounted narrow face plate**, is suitable for bi-fold windows as well as doors because of its smaller lines
- **Recessed model**, has a shorter overall length and is recessed into a door stile to give a smooth, flush appearance.
- Sizes and types to suit both doors and windows
- Available in a range of colours to match decor

Flush Bolts

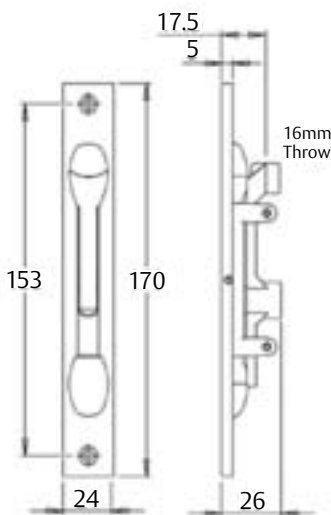
INTERLOCK™

ASSA ABLOY

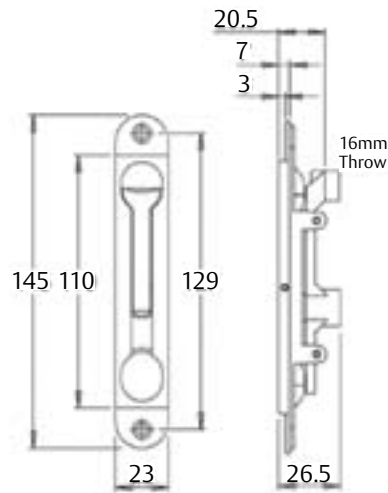


	A	B	C	D
P3512 Surface Mounted	13	153	120	19
P3513 Recess Mounted	17.5*	129	110	23
P3514 Surface Mounted Narrow	15	155	120	18

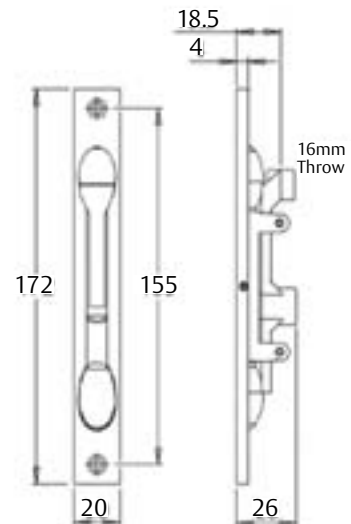
* Measured from inside of extrusion



Surface Mounted



Recessed



Surface Mounted Narrow Plate

RES-FEY-046 0410NZ

ASSA ABLOY New Zealand Ltd.
PO Box 100407, North Shore
North Shore City 0745

6 Armstrong Road, Albany
North Shore City 0632
New Zealand

Within New Zealand:
Tel 09 415 8031
Fax 0800 478 297
www.assaabloy.co.nz

Outside New Zealand:
Tel +64 9 921 7630
Fax +64 9 921 6504
www.assaabloy.co.nz

ASSA ABLOY, the global leader
in door opening solutions.