

Twin Bolt Aria / Uno Styled - for Bi-folding Windows and Doors

INTERLOCK™
ASSA ABLOY

ASSA ABLOY, the global leader
in door opening solutions.



The Twin Bolt lock body has been designed for use on both bi-fold windows and doors. The Twin Bolt combines security features with a practical design, fulfilling the needs created by architectural innovations within the residential market. Suitable for use with aluminium or uPVC hinged windows and doors.

Features

- Twin Bolt features internal locking only
- Standard rod length 1 x 1m + 1 x 1.3m
- Provides two points of security with throw rods top and bottom (13mm throw)
- Practical, easy installation
- Zinc die-cast construction
- Standard moulded plastic packers and fixing screws provided
- Threaded rod connection provides easy adjustment
- Handle turning angle of 90 degrees
- Can be keyed alike to other ASSA ABLOY CYL4™ locks for one key convenience
- New Zealand made

Options

- Can be used with Aria or Uno handle for bi-fold kit application*
- Non-locking (internal handle only) or locking (internal handle and cylinder)
- Multipoint rod extension kit available

* Aria handle option shown

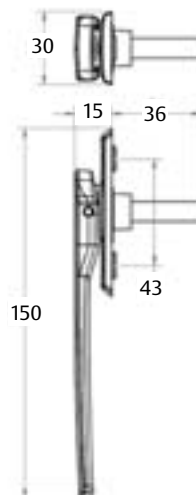
Twin Bolt

Aria / Uno Styled - for Bi-Folding Windows and Doors

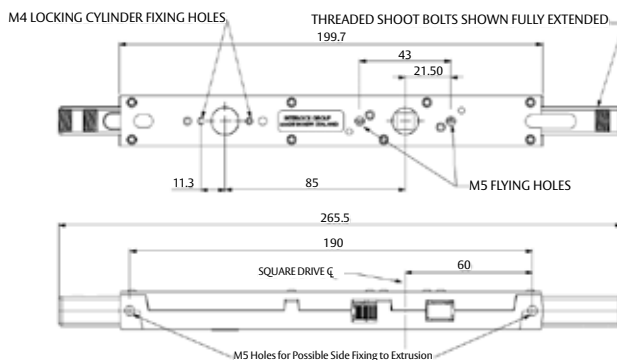
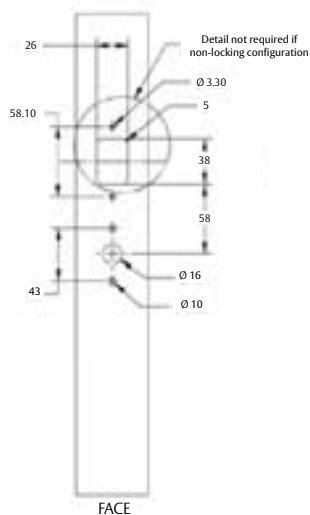
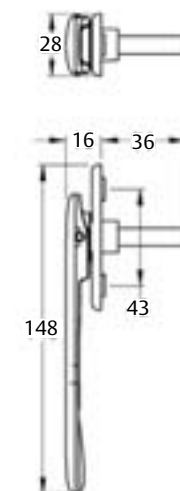
INTERLOCK™

ASSA ABLOY

Aria bi-fold



Uno bi-fold



Note: - Fits door with a minimum cavity of 18mm x 24mm
 - When using an Aria or Uno handle, a gap of 16mm between bi-folding panels is required