

230 4BC Restricted Friction Hinge

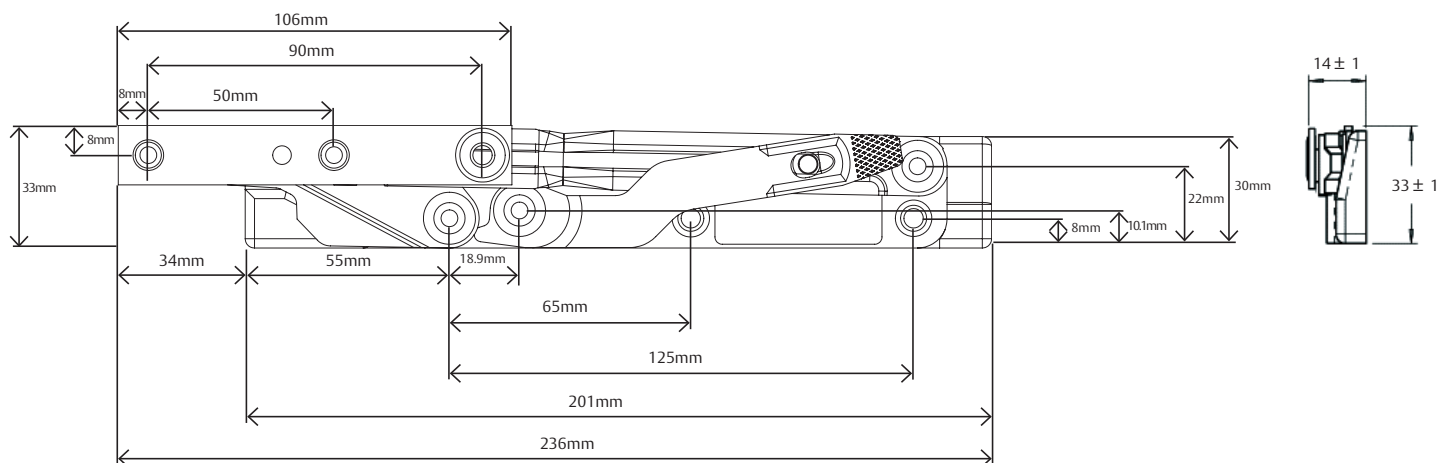
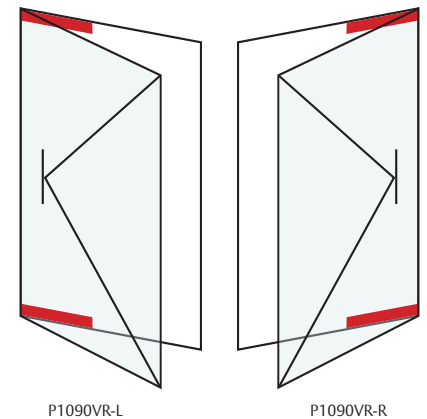
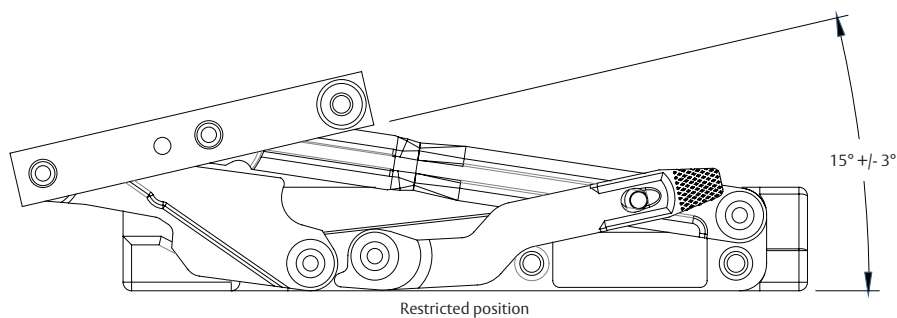
INTERLOCK™
ASSA ABLOY

Introducing the interlock restricted 4-bar integrated friction hinge. Combining proven hinge technology with a built-in restrictor.

A premier 4-bar friction hinge used for the support and frictional control of projected side hung (PSH) aluminium, timber or uPVC sashes. Fitted with an integrated and concealed restrictor arm, which limits the opening angle when engaged. Manufactured from 304 grade austenitic (non-magnetic) stainless steel, this product caters for residential or light commercial sashes up to 25kg.

FEATURES

- Available in left and right handed sets (each sets includes one restricted and one standard hinge)
- Restrictor can be unlatched to fully open sash and will relatch automatically upon closing
- Manufactured with unique 'pull-in' feature
- Friction built into joints mean no sliding channels
- Factory set friction levels thus no on-site adjustment necessary
- Tested to 36,000 cycles



Specifications:

Model	Application	Max. Sash Width	Opening Angle	Restricted Opening Angle	Max. Sash Weight	*Product Number
230 4BC RESTRICTED RH	PSH	800mm	90°	15° +/- 3°	25kg	P1090VR-R
230 4BC RESTRICTED LH	PSH	800mm	90°	15° +/- 3°	25kg	P1090VR-L

ASSA ABLOY New Zealand Ltd.
PO Box 100407, North Shore
Auckland 0745

6 Armstrong Road, Albany
Auckland 0632
New Zealand

Tel +64 9 448 9109
Fax +64 9 415 7222
www.assaabloy.co.nz

*The Product Number refers to a pair of stays. Each pair contains one restricted stay to be mounted on the bottom of the sash and one standard stay to be mounted on the top of the sash.