

Resolute One

Multi-Point



Face Fix
Right Hand Illustrated



Vertical Fix
Right Hand Illustrated

The concealed multiple locking system which offers an effective and appealing window locking solution where more than one locking point is required. The versatile design enables the Resolute One to be adapted to window sash designs whether structurally glazed or constructed with the use of an external glazing bead.

Features:

- The Resolute One handle incorporates a 4-hole fixed base with screw covers to enhance its aesthetic appeal
- With minimal routing required, the design of Resolute One is easily installed
- The keeper and raised retainer arrangement creates a unique self-alignment feature which insures that the sash is in the correct position before locking
- The solid stainless steel lock pin offers a high resistance to external negative pressure
- The locking bar is manufactured from 304 grade austenitic (non-magnetic) stainless steel
- New Zealand made

Options:

- Locking, non-locking and removable handle options are all available
- Locking bar options:
 - 300mm 2-Point Locking
 - 600mm 2-Point Locking
 - 900mm 3-Point Locking
 - 1300mm 3-Point Locking

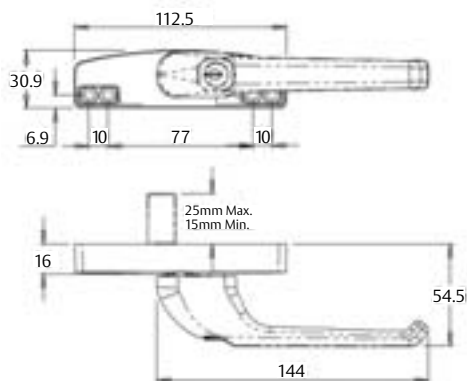
Note: When ordering Resolute One, each window requires:

- One Handle (Tongue length: max 25mm, min 15mm)
- One Locking Bar (Includes retainers and screws. Tab length: max 19mm, min 0mm)
- Keepers (2 required for 300mm and 600mm locking bars; 3 required for 900mm and 1300mm locking bars)

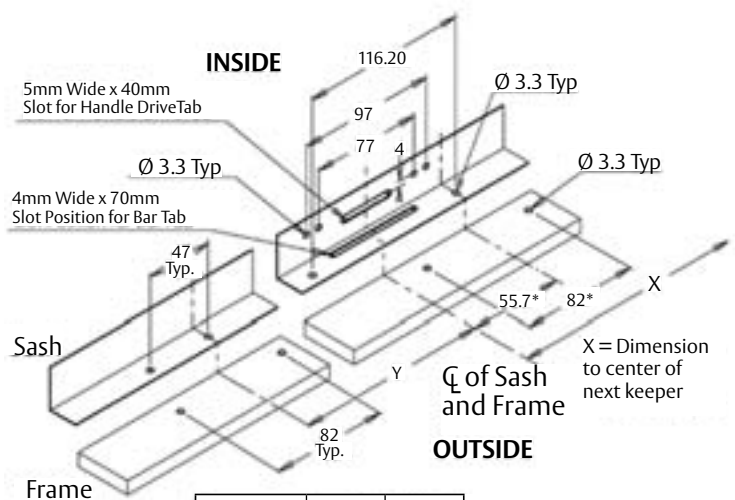
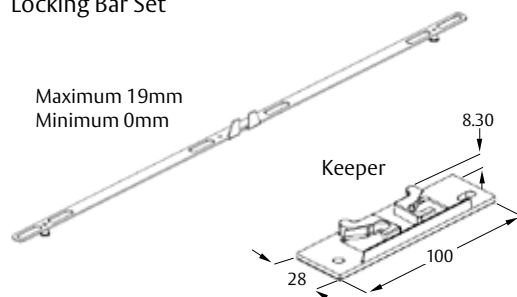
Due to the nature of the Resolute One and the vast number of variables, ASSA ABLOY recommends that the customer discuss the application prior to ordering.



Handle Set



Locking Bar Set



	X	Y
300mm Bar	171.3	128.7
600mm Bar	321.3	278.7
900mm Bar	471.5	428.5
1300mm Bar	671.5	628.5

* These Details are not required for 300 and 600mm bars